

The logo for Creative is a stylized, white, geometric font composed of small triangles, set against a dark background. It is positioned at the top center of the image.

creative

Skim

Gliding panels

www.creatif.org.uk

A collection of white, rectangular panels with a scalloped top edge, hanging from a chain. One panel prominently displays the text 'THE Hacienda' in a bold, sans-serif font. Other panels have smaller text, including '1984 - saychester' and '1995 - ben ke'.

02_Skim: Gliding panels

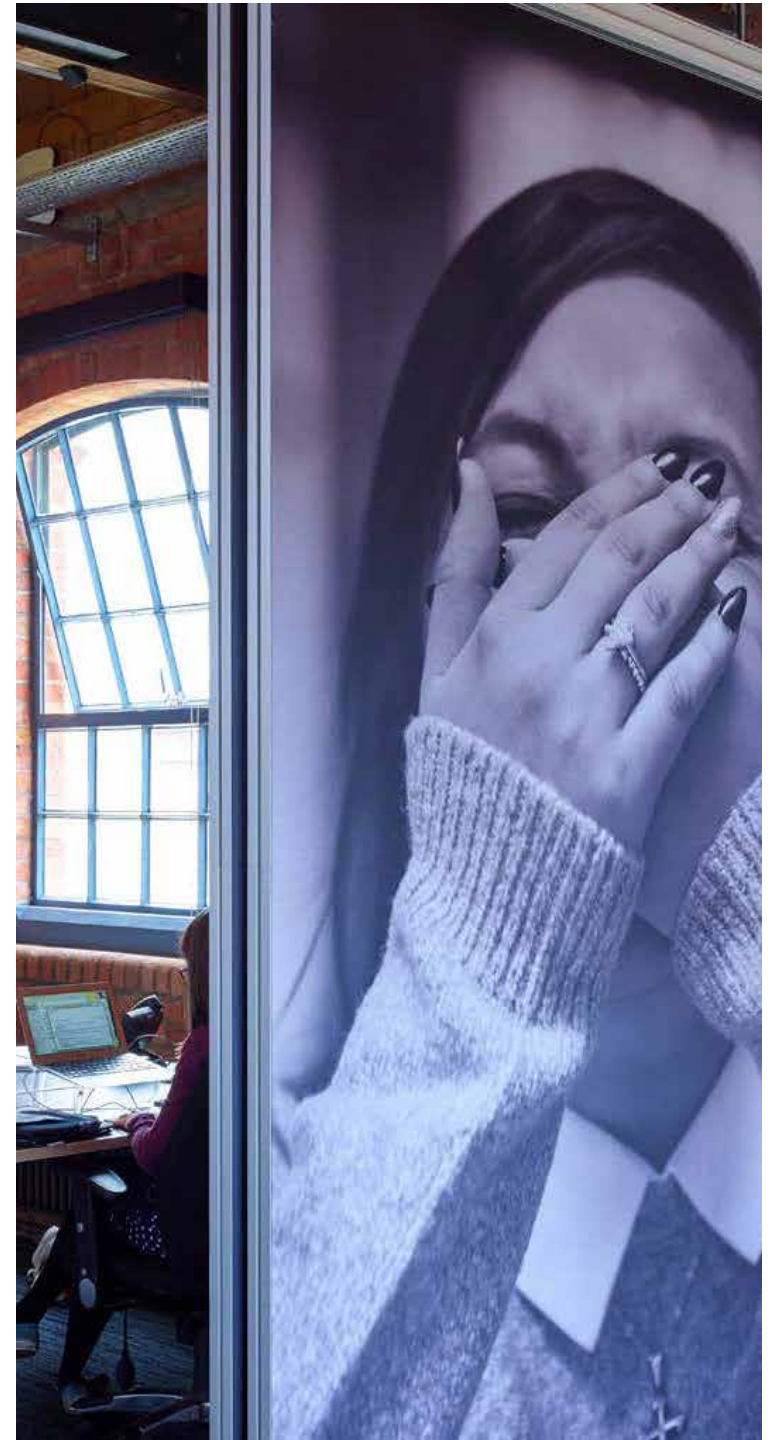
Skim's main construction is a 50mm aluminium frame* with a heavy-duty commercial grade printed fabric fitted to both sides of the frame, finished in SAA as standard but can be powder coated to any RAL colour if required.

Skim panels are unlimited in the ways they can be used. They perform to perfection as a lightweight room divider, as a decorative (and functional) screen to create subdivisions in open-plan space. They can be manufactured to unlimited widths and up to 3m high without a join in the fabric. A run can comprise of as many panels as required - no limits there!

Contents:

Page 05	Technical Details
Page 06	Standard Stacking Configuration
Page 07	Technical Informations
Page 08	Swatches
Page 09	Contact





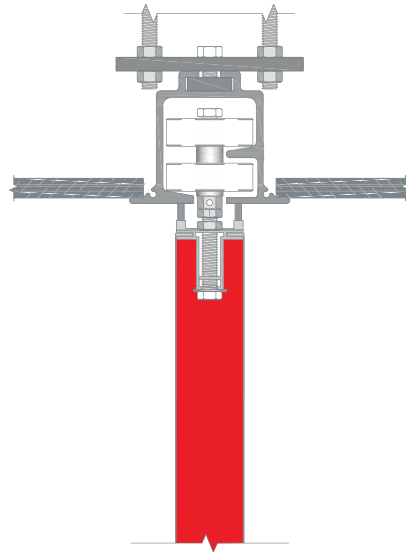


05_Technical Details

Skim panels can also incorporate solid panel faces such as drywipe boards, magnetic boards, laminate boards, veneer boards, decorative acrylics and polycarbonates... The list goes on and Creatif are able to consider all needs.

The 50mm aluminium frame incorporates rollers connected to head-track that can be either recessed into the ceiling or surface fixed below with pelmets applied. There is no floor track required. The fabric can be printed in any colour, with any graphic or design/ logo. The fabric is also replaceable - so it can be peeled off, rolled up and stored away.

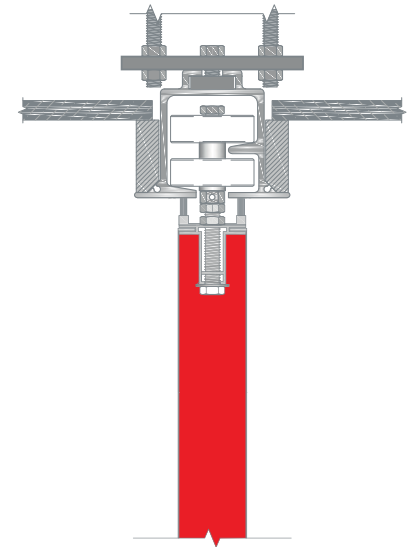
1



2



3



06_Stacking Configurations

Config A

Single Pocket Stack

Config B

Single Pocket H Park

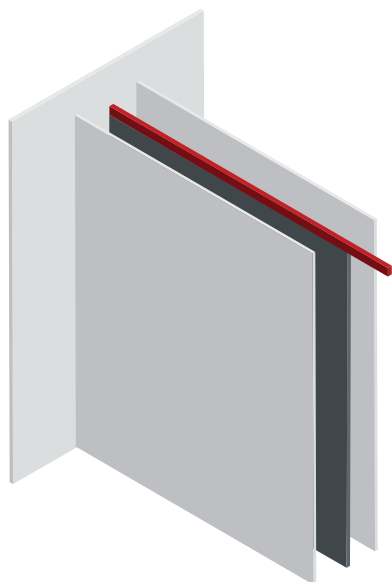
Config C

Double Track

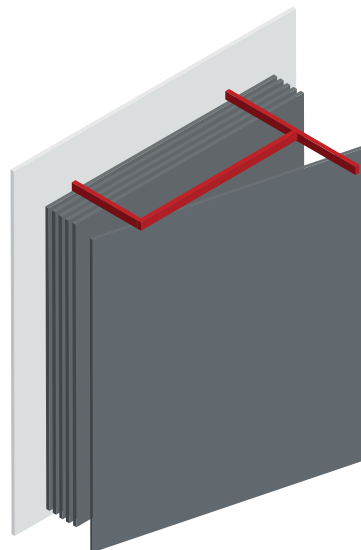
Please note:
Other stacking options
are available on
request.

Please contact Creatif
for further details.

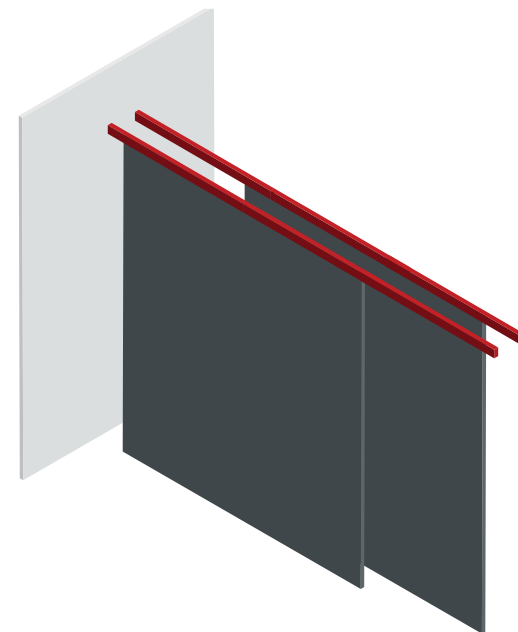
A



B



C



07_Skim: Gliding panels

Skim features superb engineering. Each panel is formed from a 90mm aluminum frame overlaid either side with 6mm toughened glass. The frame is concealed by an ultra-thin frit on the inside face in any RAL colour.

	SKIM
Acoustic ratings dB (Rw)	Class A
Panel thickness	45mm or 60mm
Max. height	3000mm
Weight KG/M2	Varies
Panel construction	Aluminum
Operable seal	n/a
Panel construction	Aluminum frame + Fabric with silicone bead
Track system	Aluminum SP+ TP
Tolerance height MM	+/- 10mm
Tolerance width MM	+/- 10mm

08_Finishes

Other colours available
on request. Contact
Creatif:

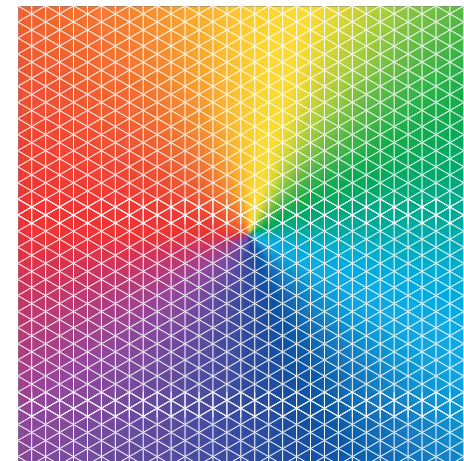
sales@creatif.org.uk



Fabric Finishes Various Colours



Printed Fabric



RAL colours for profiles

09_Contact

Details

T: +44 (0) 113 270 1239

F: +44 (0) 113 239 1672

E: info@creatif.org.uk

Head Office

Unit 2 National Road
Business Park,
National Road,
Leeds LS10 1TE

Visit our website to find out more...



www.creatif.org.uk